



# Mezzanines

Increase Floor Space

# Mezzanine



# Applications

- Multi-Purpose Mezzanine - 4
- Warehouse Storage Mezzanine - 5
- Conveyor Support Mezzanine - 6
- Auto Dealer Distribution Mezzanine - 7
- Exhibition Platform Mezzanine - 8
- Sports Facility Mezzanine - 9
- Fitness Center Mezzanine - 10
- In-Plant Office Mezzanine - 12
- Theatre Storage Mezzanine - 13
- Restaurant Mezzanine - 14
- Online Distribution Center Mezzanine - 15
- Hardware Store Mezzanine - 16
- Kids' Fun Zone Mezzanine - 17
- Parts Inventory Mezzanine - 18
- Machine Guard Mezzanine - 19
- QuickShip Safety Pivot Gates - 20



# Mezzanines

Increase Floor Space



# Multi-Purpose Mezzanine

Increase your manufacturing or warehousing capacity fast. Double your floorspace without incurring moving, renovation or new construction costs.

Increase your manufacturing capacity fast with a high-performance Cogan mezzanine. Whether

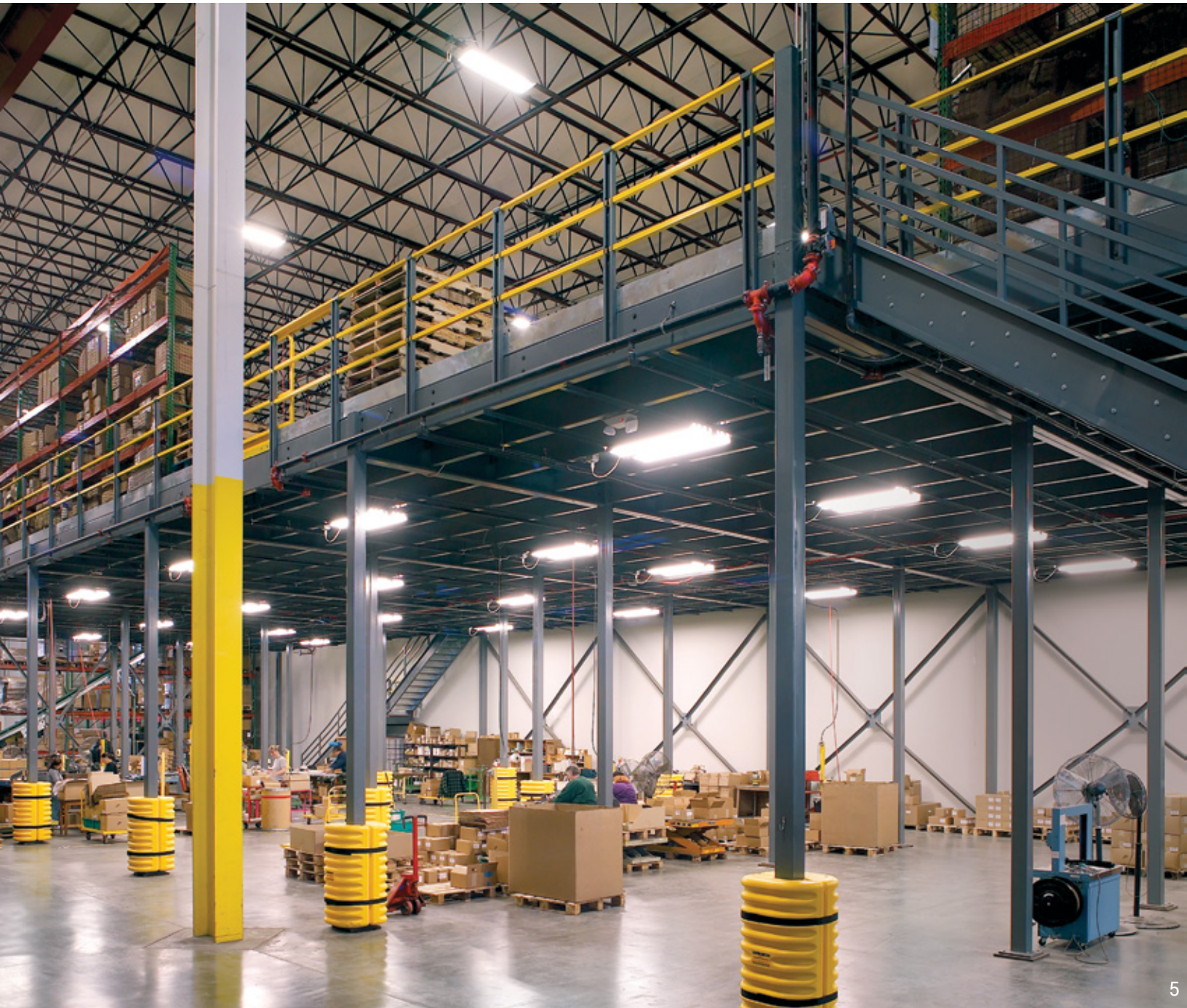
you need a little or a lot more floor space, Cogan has the perfect mezzanine solution to fit your needs, your timing, and your budget. Our engineers will work closely with you to transform unused vertical space into a profitable storage area. Just send us your additional space requirements and we will return an AutoCAD drawing showing precisely how your mezzanine will be configured within the existing layout of your facility, matching its exact height, area and load requirements.

# Warehouse

## Storage Mezzanine

Best of all, each Cogan mezzanine comes with a Lifetime Structural Warranty for your peace of mind.

Use Cogan mezzanines to increase efficiency in your warehouse, parts department, stock room, locker room, office, retail store, or on your production floor. Engineered with your business in mind, modular components mean our mezzanines are easily adaptable and can be disassembled, relocated, and expanded to grow with your business. Best of all, each Cogan mezzanine comes with a Lifetime Structural Warranty for your peace of mind.



Quality, strength, and efficiency to keep your process running smoothly. From conception to installation, a Cogan mezzanine is innovation at its best.

Don't be afraid to challenge a Cogan mezzanine! Constant movement and vibration can be tough

on a structure, but a conveyor support mezzanine will live up to the rigorous pace of your work environment. When high-speed conveyors move over 40,000 packages a day, you need a support structure that won't flinch under pressure. Not only will a Cogan mezzanine double your floor space, the wide span design will increase visibility, functionality and safety for both your workers and your equipment. Convert your unused space into a profitable conveyor support mezzanine.

## Conveyor Support Mezzanine





# Auto Dealer

## Distribution Mezzanine

Increase storage for large, bulky items. Maximize distribution. Organize your small parts department.

Take the checkered flag with Cogan mezzanines! We understand the unique storage and handling challenges that automobile dealers and distributors face every day. Thousands of valuable small parts and car components must be securely stored, organized and accounted for. Easy location and pick access is essential to maintain productivity. Double your storage capacity and increase efficiency with a Cogan mezzanine. We'll make sure you finish in pole position.



## Exhibition Platform Mezzanine

At the heart of our streamlined culture is our world-class capability in CNC precision-manufacturing and our expertise in 3D engineering software.

Whether you need an exhibition platform like the one you will find at the Intrepid Sea, Air and Space

Museum in New York City, or you want to create an observation gateway or tradeshow platform, a Cogan mezzanine will make the most out of your overhead space. At the cutting-edge, every Cogan mezzanine is 3D engineered and CNC Precision manufactured. This advanced technology ensures the accuracy of our designs for superior efficiency, consistency, quality and flexibility. Like NASA, Cogan is proud to raise the bar and be a leader, not a follower!



# Sports Facility

## Mezzanine

An all-star player in your starting lineup. Knock it out of the park with a Cogan sports facility mezzanine.

Don't get boxed in a corner by space shortages! Install a Cogan mezzanine and make sure your sports facility is up to scratch. Versatile to accommodate a range of applications, a Cogan mezzanine can easily double the playing field in your athletics center. Whether you require extra space for you an indoor soccer complex, driving range, baseball batting area, or even a school gym, Cogan mezzanines are in a league of their own. Just another part of our all-star track record!





## Fitness Center Mezzanine

Sometimes the best way to trim down is to build up. Get lean with Cogan mezzanines. We're here to spot you!

Sweat it out with Cogan structural mezzanines for fitness applications. When you need a strong platform to support heavy weight-lifting and exercise machines, we've got your back. Double your equipment capacity, reduce wait times, and get more people working out! Our team of expert engineers combined with over 100 years of experience make Cogan your one-stop manufacturer for the most cost-effective space management solutions on the market.



**Cogan products are built to last**  
**Our promise is for life**



# In-Plant Office

## Mezzanine

Custom-engineered mezzanines to revolutionize your workspace. Create a fully-integrated in-plant office above your production floor.

Versatility is synonymous with Cogan products and our mezzanines are no exception. In a busy

warehouse setting, office space must often be sacrificed in favour of larger production and storage areas. Install a Cogan mezzanine and put an end to these limitations. By creating a fully-integrated in-plant office above your production floor, a Cogan mezzanine can effectively double the usable space in your facility, leaving ample room for computer stations, filing cabinets and other office equipment. Just another way Cogan mezzanines make your space work for you.

# Theatre

## Storage Mezzanine

Never miss a cue with Cogan mezzanines for theatre costume and prop storage. Guaranteed to steal the show!

The logistics of coordinating a large-scale theatre event is a major undertaking. Razor sharp organization is essential to keep multiple productions running smoothly. With hundreds of costume and set changes, lighting and music cues, and countless props, there is zero space for backstage clutter. Utilize a Cogan mezzanine and create a seamlessly functional dressing room, storage, and backstage waiting area. From opening lines to curtain call, Cogan mezzanine are guaranteed to steal the show!





# Restaurant

## Mezzanine

Need additional space for a private party or VIP area? Double your service capacity with a Cogan mezzanine.

This is ideal for restaurants and bars that feature live performances. Where a stage takes up room that could otherwise be filled by tables and chairs, there is no need to turn away eager customers. Rock on all night with mezzanine level seating! Faster than you ever imagined possible, our team of experts can build a restaurant-grade mezzanine that will blend seamlessly with the look and décor of your establishment.



# Online Distribution Center Mezzanine

Stock and ship a massive amount of inventory quickly and efficiently. Cogan multi-level mezzanines are designed for high volume.

In today's online marketplace, vendors must offer a large selection of products in order to remain

competitive. With a world of merchandise just a click away, shoppers expect to find exactly what they want, at the best price and with the fastest delivery. For the seller, stocking, picking and shipping these items is an enormous feat. Speed and organization are key. Cogan multi-level mezzanines can easily double the available workspace in your distribution center. Seamlessly integrate shelving, racking and conveyor systems to move your inventory quickly and efficiently.

# Hardware

## Store Mezzanine

Eliminate clutter for an enhanced shopping experience that will bring customers back again and again.

Have you outgrown your retail location? Hardware stores and other renovation-based retailers stock a variety of inventory that can easily get out of hand. Adjusting to a new location is not only inconvenient, but time lost due to a move can be expensive. Avoid downtime and eliminate clutter by creating a second floor within your existing facility. With seamless organization and easy aisle flow, the enhanced shopping experience will bring back customers again and again.





# Kids' Fun Zone

## Mezzanine

From indoor trampolines to giant ball pits, dodge ball courts and much more, make fitness fun with a Cogan mezzanine.

Who says you can't bounce on a trampoline, leap into a giant ball pit, and play a game of dodge ball all in one place? Cogan mezzanines offer the versatility and adaptability you need to turn every kid's dream into reality. Extra-wide staircases, wire mesh handrail and multi-tier designs create the perfect environment for safe, healthy and happy play. Use a Cogan mezzanine to transform your activity center into the ultimate all-in-one fun zone.





# Parts Inventory

## Mezzanine

Maximize storage space, increase pick times and organize your warehouse like never before with a parts inventory mezzanine.

Maintaining orderly and efficient operations in your parts department can be a daunting task.

Thousands of small parts, hardware and miscellaneous items require significant storage space to ensure easy accessibility and accurate inventory control. Install a Cogan mezzanine and create ample surface area for racking and shelving units, rolling carts and trolleys, computer stations and any other equipment needed to keep your parts department running smoothly. The addition of safety pivot gates guarantees a secure loading zone for increased worker safety.



## Machine Guard Mezzanine

Boost safety and productivity in your robotics department with a Cogan machine guard mezzanine.

Build a second level above robotics or manufacturing equipment with a Cogan machine guard mezzanine. Designed for seamless integration with any Cogan partition system, a machine guard mezzanine works around the existing layout of your facility to create safe and functional workspace. Ideal for storing any equipment that must be accessed from above the work area, such as heating and cooling equipment, compressors or ventilation units.



# QuickShip

**In Stock. Ready To Ship.  
or Accelerated Delivery.**

Cogan QuickShip is all about you – your needs, your budget, your timeline. No waiting. No delays. Cogan QuickShip is on time, all the time.

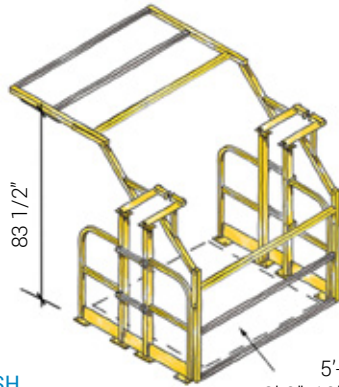
# SAFETY PIVOT GATES

## SPECIFICATIONS

**Consistent operating height of 83.5" / Special 4-point pivot system Easy and fast adjustability**

Safety pivot gates are your safest bet for busy loading zones. Specially designed pivot arms allow the gate to be opened on one side while closed on the other, protecting your employees from dangerous fall accidents. Four point pivot system transfers vertical movement horizontally for easy manipulation in confined spaces. **IN STOCK.**

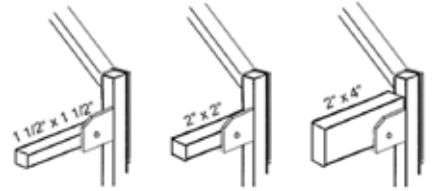
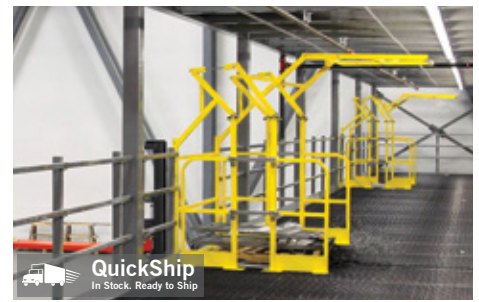
Item Description	Item #
5'W x 5'D	QS-MG55
5'W x 6'D	QS-MG56
5'W x 7'D	QS-MG57
5'W x 8'D	QS-MG58
6'W x 5'D	QS-MG65
6'W x 6'D	QS-MG66
6'W x 7'D	QS-MG67
6'W x 8'D	QS-MG68
8'W x 5'D	QS-MG85
8'W x 6'D	QS-MG86
8'W x 7'D	QS-MG87
8'W x 8'D	QS-MG88
10'W x 5'D	QS-MG105
10'W x 6'D	QS-MG106
10'W x 7'D	QS-MG107
10'W x 8'D	QS-MG108



**FINISH**  
Powder-coated safety yellow



5'-0", 6'-0",  
8'-0", 10'-0" wide  
5'-0", 6'-0", 7'-0", 8'-0" deep  
**\*drop area dimensions**



Gate width: 5' Gate width: 6' Gate width: 8'-10'

## Self-Closing Safety Gate

### SPECIFICATIONS

**Two adjustable sizes / Spring loaded hinges**  
Available in 24" - 36" W and 33" - 48" W. Punched adjustment holes are Ø7/16" and spaced 1" apart C/C. Spring loaded hinges mean the gate closes automatically, reducing the risk of unknowingly walking or backing into the opening. Compatible with Cogan mezzanines, heavy-duty guardrail and pedestrian barriers. **IN STOCK.**

### Item Description

Self-Closing Safety Gate  
(adjustable from 24" - 36" W)

Self-Closing Safety Gate  
(adjustable from 33" - 48" W)

### Item #

QS-G-SG-2436

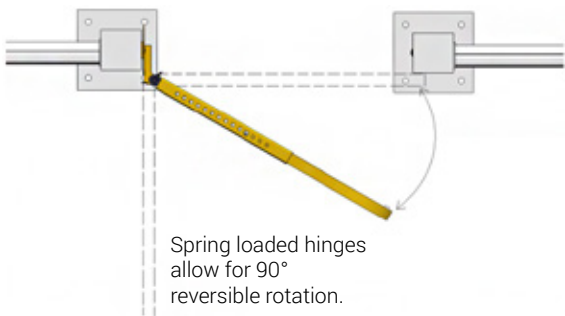
QS-G-SG-3348

### FINISH

Powder-coated safety yellow

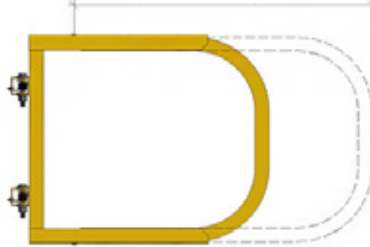


### Plan View:

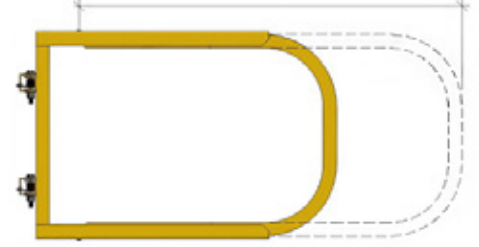


Spring loaded hinges allow for 90° reversible rotation.

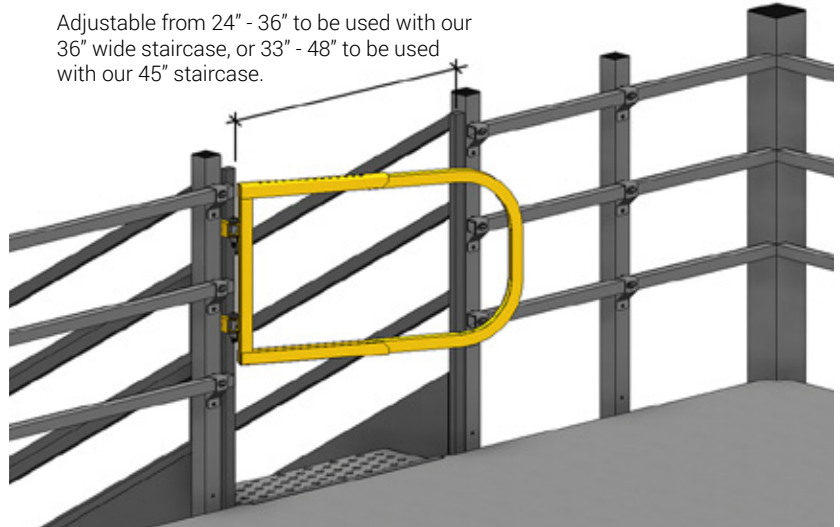
Adjustable Gate Length 24" - 36"



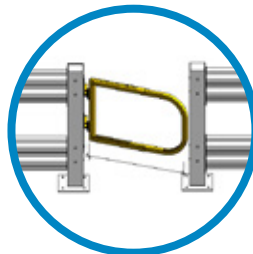
Adjustable Gate Length 33" - 48"



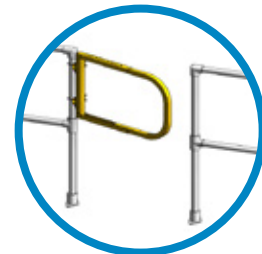
Adjustable from 24" - 36" to be used with our 36" wide staircase, or 33" - 48" to be used with our 45" staircase.



Also compatible with:



Heavy-Duty Guardrail



Pedestrian Barriers

## Standard Colors

Standard colors are applied to all products and are automatically included in the material price on your quote. Unless otherwise specified, all standard colors are powder-coated for a durable, long-lasting and maintenance-free paint finish.

### Mezzanines



Cogan Grey



## Premium Colors

Premium colors are available at an additional cost. If you are interested in a premium color, please contact your Cogan Account Manager for pricing and availability.



Steel Blue



Midnight Black



Crisp White



Forest Green



Burnt Orange



Ruby Red



Deep Sea Blue



Sandy Beige



Safety Yellow



Hot-Dipped Galvanized



**CONCEPT**  
STORAGE  
SOLUTIONS

## Concept Storage Solutions

Phone (888) 922.0229

[sales@conceptstorage.com](mailto:sales@conceptstorage.com)

[www.conceptstorage.com](http://www.conceptstorage.com)